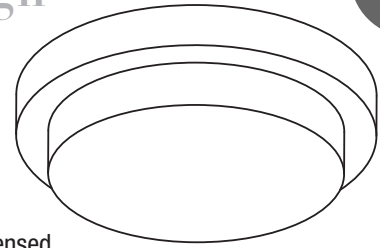




Assembly and Installation Instructions for Model's

30014/5/6FM



CAUTION - RISK OF FIRE

Installation of this fixture should be done by a licensed electrician or by a person familiar with local electrical codes and the construction and operation of this fixture.

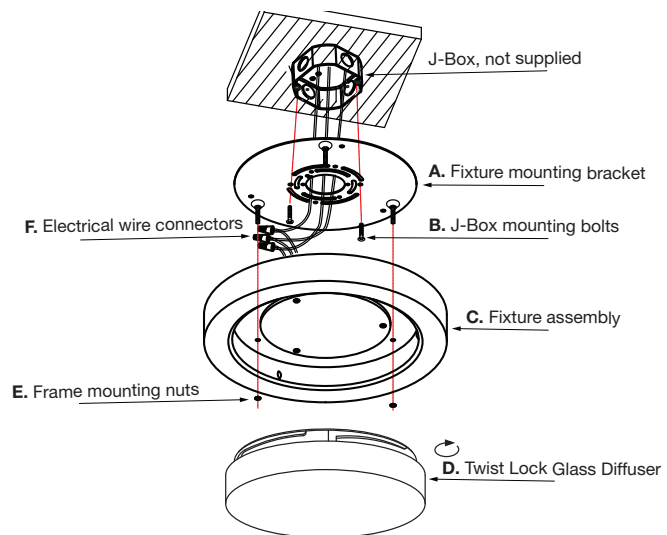
Warning please make sure the electrical breaker is shut off before commencing with this installation

Read and familiarize yourself with these instructions before commencing

This fixture is certified for ceiling mounting only and is suitable for Damp locations and dimmable with a Triac Dimmer

The fixture uses a 120v A/C LED panel which is supplied with a clear glass cover plate, no driver required

Package Contents		
Part	Description	Qty
A	Mounting bracket	1
B	J-Box mounting bolts	2
C	Fixture assembly	1
D	Opal glass diffuser	1
E	Fixture mounting nuts	2
F	Electrical wire connectors	3



Installing the fixture *please ensure the electrical breaker is switched off before commencing*

- Attach the supplied mounting bracket (A) with the two supplied mounting bolts (B) to a J-Box, not supplied, making sure the electrical supply wires from the J-Box are inserted through the mounting bracket.
- Connect the supply wires to the fixture wires using the supplied electrical wire connectors (F). White supply wire to the White fixture wire, Black supply wire to Black fixture wire and the ground Bare Copper or Green wire to the Green fixture wire. Once the electrical wire connectors are securely fastened it is recommended to tape these connectors with electrical tape.
- Gently tuck-in the excess electrical supply cables into the J-Box and attach the fixture assembly (C) to the mounting bracket (A) and secure with supplied fixture mounting nuts (E)
- Attach the Opal glass diffuser by inserting the glass diffuser (D) into the fixture assembly (C) and gently twisting the glass diffuser in a clock-wise direction
- Switch on the electrical breaker switch and your new fixture is ready for many years of trouble free use

